

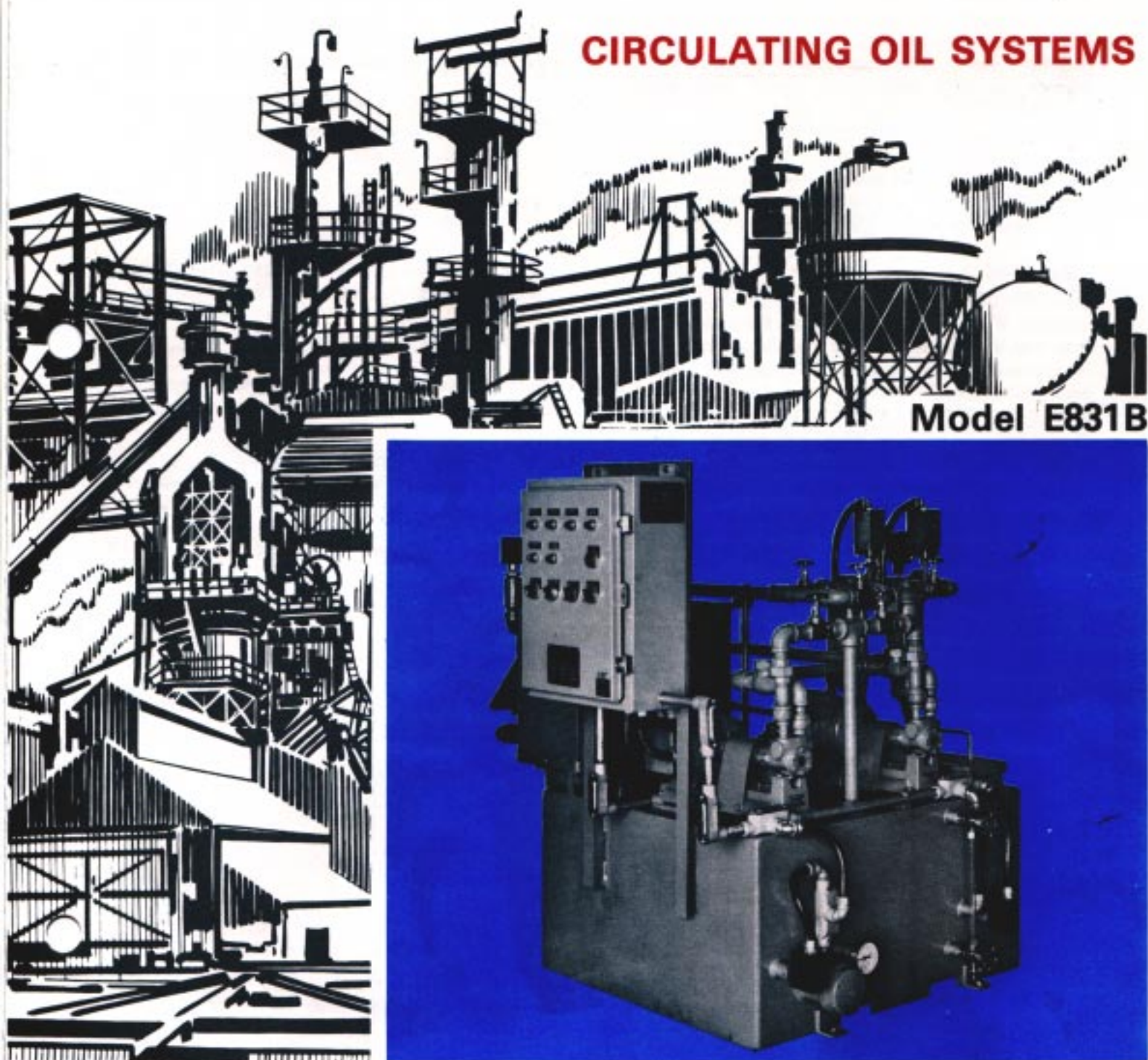
# ENERVAC

CORPORATION

Engineers and Manufacturers of

## LUBRICATION *EQUIPMENT*

CIRCULATING OIL SYSTEMS



Model E831B

# ENERVAC Model E831B

## Circulating Lubrication Systems

### Description

Model E831B Circulating Lubrication Systems protects against "down-time" production losses...saves costs of bearing replacement caused by inadequate lubrication. Each **Enervac** unit is furnished as a self-contained package including all integral piping.

Superior filtering system removes all contaminants... assures constant supply of clean, temperature controlled oil at a constant pressure which has "washing" as well as lubricating effect on bearings.

Electrical Control Panel with required switches, lights, contactors and complete electrical interconnection of components are provided as an optional extra.

### Applications

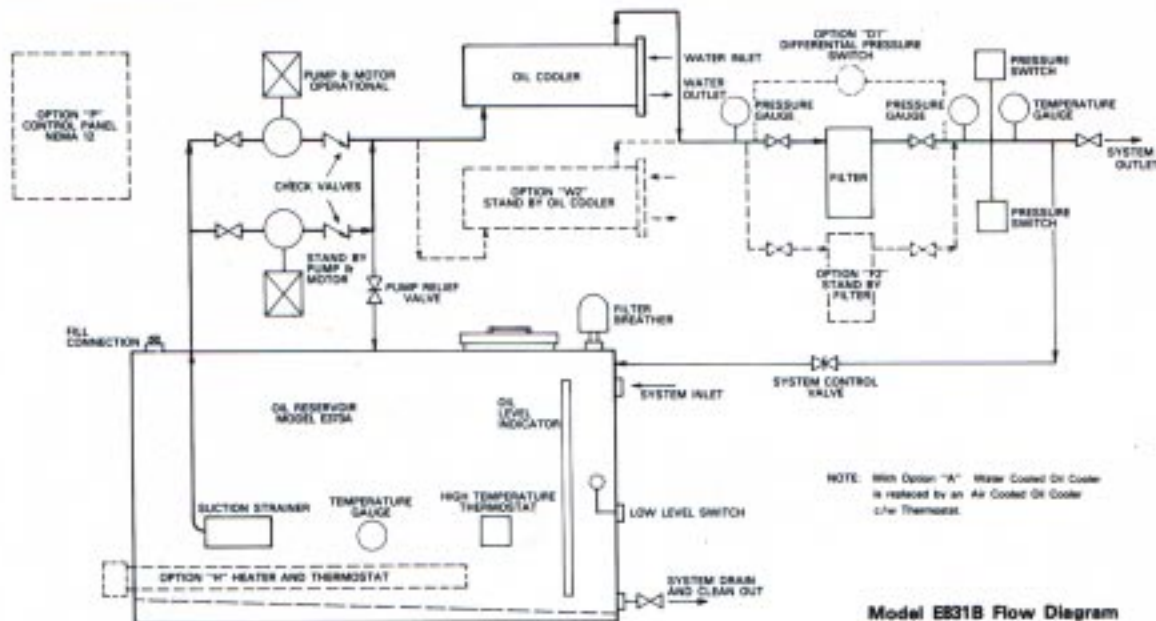
Especially adapted and ideally suited where it is desirable to provide a complete lubricating system for individual mill stands or drives, for the lubrication of light-duty equipment or wherever a smaller capacity system is desired.

Extensively used in many fields, including the paper, rubber, textile, machine tool, metal rolling, blower and fan and associated industries.

### Features

- Easy to clean filter. Element can be quickly removed and changed. 20 Micron separation.
- Large reservoir provides adequate retention time.
- Choice of Cooling Method. Standard Water Cooled Heat Exchanger, or optional Fan Driven Air Cooler.
- Operational and Standby positive displacement gear pumps c/w electric motors. Standby pump will cut in automatically on declining pressure.
- System can be supplied with electric heater in reservoir when required for cold start.
- Choice of Operation. Systems can be furnished completely automatic, semi-automatic or manual.
- Choice of Right or Left Hand Modules.
- Systems can be adapted to meet hazardous location requirements under code Class 1, Group D.

Leading industrial machinery builders include **Enervac** lubricating equipment in their well-designed systems.



"Down-time" Insurance: Prevents oil breakdown.  
Saves on production losses and costs of bearing replacements.

# MODEL NOMENCLATURE CHART

Model E831B -

-

### Standard Features

- Enervac Model E373A Steel Oil Receiving Tank complete with sloping bottom, clean-out, drain and hand hole.
- Oil level Reservoir Indicator
- Low level Reservoir Switch
- High Temperature Reservoir limit Thermostat
- Reservoir Temperature Gauge
- Pump Suction Filter
- Reservoir Breather
- Service and Standby Positive Displacement Oil Pumps c/w Electric Motors (open drip proof)
- Filter 20 Micron
- Pump Relief Valve
- System Control Valve
- Oil Cooler — Water Shell and tube type
- System Outlet Temperature Gauge
- Dual Pressure Switches
- Two Pressure Gauges. One on Inlet to filter, one on System Outlet

	Code	Options
<b>Electrical Input</b>	11	110 V - 1 ph - 60 Hz
	21	220 V - 1 ph - 60 Hz
	22	220 V - 3 ph - 60 Hz
	46	460 V - 3 ph - 60 Hz
	57	575 V - 3 ph - 60 Hz
<b>Dual Filters</b>	F2	Twin Filters; one operational one standby.
<b>Oil Cooler</b>	w 2	Twin Water Cooled Oil Coolers; one operational, one standby.
	A	Single Air Cooled Oil Cooler c /w Thermostat
<b>Tank Heater</b>	H	Electric Heater c /w Thermostat
<b>Electrical Control Panel</b>	P	Nema I2 Control Panel c/w all necessary switches, starters, contactor and indicating lights.
<b>Misc.</b>	DI	Differential Pressure Switch for filter
	X	Special Engineering

Model Nomenclature Chart indicates standard and optional features available with each model. Complete flexibility is provided by selection of the type of Operation, Electrical Input, Etc.

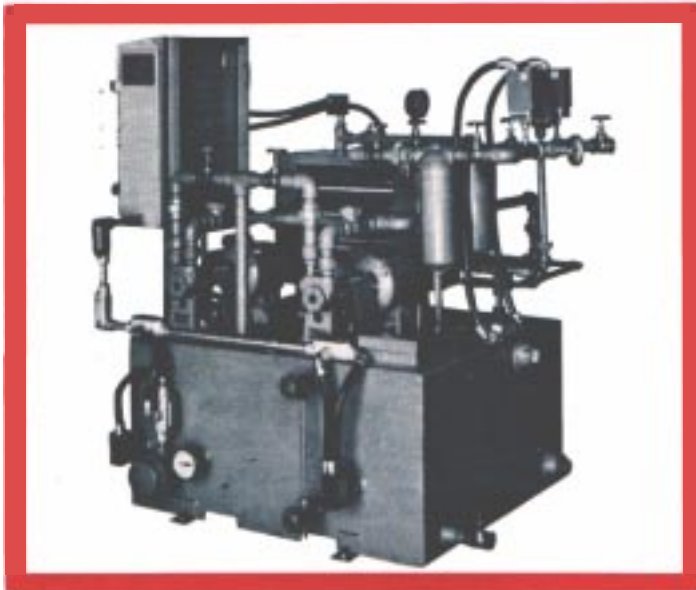
Model Size & USGPM	Oil Tank Capacity	Overall * Dimensions			Oil Inlet	Oil Outlet	Water Consumptn	Oil Pump Motor Hp - Rpm	Optional Equipment		Approx. Dry Weight in lbs.
		L	W	H					Oil Heater Option "H" K.W.	Air Cooler Option "A" Hp. - Rpm	
1	75 US gal	48"	48"	40"	2" NPT	1" NPT	3 US gpm	1/4 - 1800	1.5 K.W.	1/15 - 1800**	1100
3	75 US gal	48"	48"	48"	2" NPT	1" NPT	6 US gpm	1/3 - 1800	1.5 K.W.	1/12 - 1800**	1250
5	75 US gal	48"	48"	48"	2" NPT	1" NPT	10 US gpm	1/2 - 1200	1.5 K.W.	1/4 - 1800	1350
10	150 US gal	60"	48"	60"	3" NPT	1" NPT	10 US gpm	3/4 - 1800	3 K.W.	1/4 - 1150	1800
12	150 US gal	60"	48"	60"	3" NPT	1" NPT	12 US gpm	1/2 - 1200	3 K.W.	1/2 - 1150	2200

\* Dimensions are approximate only. Actual dimensions will vary depending on options.

\*\* Available in 110 Volt, 1 ph, 60 Hz only.

INEXPENSIVE — Entire system represents only a small fraction of costs of average machine it protects.

COMPACT — Entire unit occupies a minimum of floor space.



**ENERVAC** produces a wide range of specialty products and systems, most of which are based on a high order of technology.

## Solving Tomorrow's Problems TODAY

### HIGH VACUUM DEGASIFICATION

For upgrading of new and used electrical insulating liquids, transformer oil, polybutenes and silicones – the removal of free and soluble water, free and dissolved air and gases and particulate matter. Mobile and stationary units in sizes to fit every need.

### SEAL-OIL PURIFIERS

Seal oil purifiers offer proper treatment and upgrading of compressor sealing oils in a completely enclosed system, removal of free and soluble water, free and dissolved air and gases, light hydrocarbons and particulate matter.

### LUBE SYSTEMS

Oil circulating lubrication systems including pumps, tanks, filters, coolers, indicators and other accessory equipment in either packaged or component systems are available.

### AIR AND GAS DRYERS AND FILTERS

Enervac dryers and filters are designed for removal of moisture from process air and gases, eliminating condensation and freezeup, moisture corrosion, protecting pneumatic instruments and extending the life of pneumatic tools.

### VACUUM DEHYDRATORS

Low vacuum units are available from Enervac Corporation for the continuous maintenance of the original chemical and physical qualities of lubricating, insulating, cooling, hydraulic and synthetic oils.

### INDUSTRIAL FILTERS

Industrial filtration equipment utilizing pleated paper, and other media to provide the exact degree of filtration and flow rate for virtually any application.

### Pressure Sight Feed Oilers

- Compact flow indicator permits side by side installation, allowing checking at one convenient location.
- used when liquid discharge points are numerous, inaccessible or elevated,
- suitable for dark oils.



Model E818A Pressure Oilers

*Representative*

**ENERVAC**  
CORPORATION

700 FRANKLIN BLVD., CAMBRIDGE  
ONTARIO, CANADA N1R 5S9  
TEL. (519) 623-9890  
FAX (519) 623-8250 / (519) 623-4394